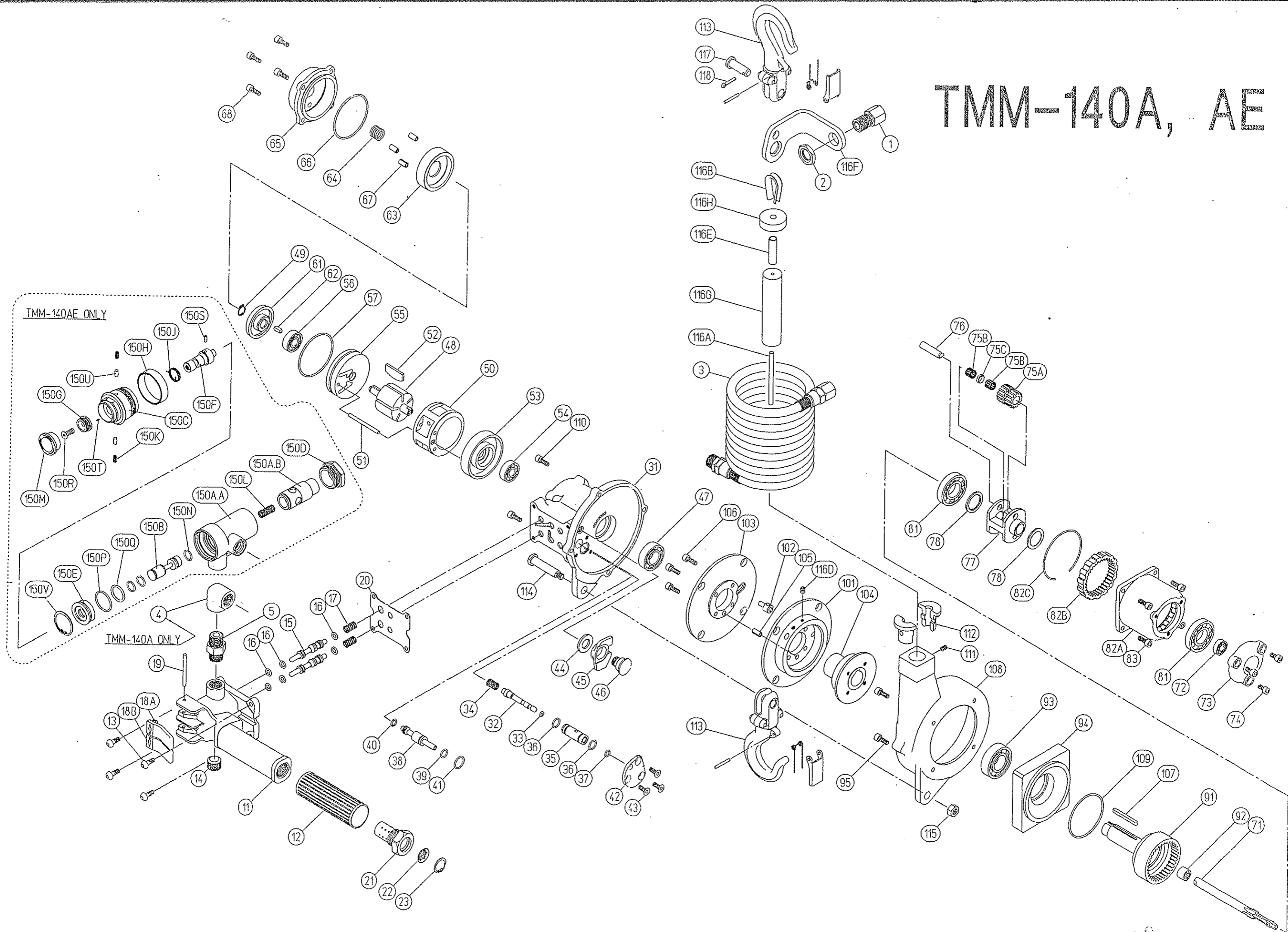


TMM-140A, AE



TMM-140A

TMM-140A, AE

2001.10.12

※	Symbol No.	Parts No.	Description	Qty. Req'd.
	1	420982WA0	Air Inlet	1
	2	420982WB0	Air Inlet Lock Nut	1
	3	137201006	Hylon Coil (Air Hose) (3.7m) fitting	1
※	4	135101003	Elbow (3/8) White	1
	5	135004003	Nipple (3/8)	1
	11	420985ACB	Throttle Valve Body CP	1CP
	11.A	420985AC0	Throttle Valve Body	(1)
	11.B	420982ADO	Throttle Valve Bush	(2)
	12	136608140	Throttle Valve Body Grip	1
	13	131905014	Button Head Screw (M5×14)	4
	14	134903003	HEX. Socket Pipe Plug (3/8-18 GDL)	1
	15	420985AA0	Throttle Valve	2
	16	131108004	O Ring P-6 (HS90°)	6
	17	130802076	Throttle Valve Spring	2
	18.A	420985UY0	Throttle Valve Lever A	1
	18.B	420985UZ0	Throttle Valve Lever B	1
	19	130402030	Lever Pin φ4×46	1
	20	136102079	Throttle Body Packing	1
	21	420982BL0	Muffler	1
	22	136801001	Screen	1
	23	130301020	Retaining Ring H-20	1
	31	420985BG0	Motor Case	1
	32	420985850	Stop Valve Pin	1
	33	131103002	O Ring S-4	1
	34	130802073	Stop Valve Spring	1
	35	420985780	Stop Valve Pin Bush	1
	36	131103008	O Ring S-10	2
	37	131103004	O Ring S-6	1
	38	420985W30	Stop Valve	1
	39	131103007	O Ring S-9	1
	40	131103005	O Ring S-7	1
	41	131103012	O Ring S-14	1
	42	420985980	Stop Valve Cover Plate	1
	43	132805010	HEX. Flat Head Machine Screw M5×10	3
	44	131309012	Washer M12	1
	45	420985740	Cam	1
	46	420985970	Cam Shaft	1
	47	130106004	Bearing 6003ZZ	1
	48	420982BP1	Rotor	1
	49	130302010	Retaining Ring S-10	1
	50	420982BT1	Cylinder	1
	51	130402031	Cylinder Knock Pin φ4×52.5	1
	52	137102013	Vane	5
	53	420985170	Front Plate	1
	54	130106001	Bearing 6000ZZ	1
	55	420985180	Rear Plate	1
	56	130104001	Bearing 6000	1
	57	131103041	O Ring S-55	1

※	Symbol No.	Parts No.	Description	Qty. Req'd.
	61	420982E10	Brake Wheel	1
	62	130408062	Brake Wheel Key	1
	63	420982EF2	Brake Piston	1
	64	130802105	Brake Spring	1
	65	420982KA0	Brake Case	1
	66	131103041	O Ring S-55	1
	67	130606012	Spring Pin φ6×12	3
	68	131905014	Button Head Screw M5×14	4
	71	420985GK0	Drive Pinion	1
	72	130101007	Bearing 607	1
	73	420982FK0	Gear Case Cover	1
	74	131705011	HEX. Socket Head Bolt M5×10	3
	75	420982FLC	Idle Gear CP	2CP
	75.A	420982FLO	Idle Gear	(2)
	75.B	130170012	Needle Bearing KT81110	(4)
	75.C	420982FP0	Idle Gear Ring	(2)
	76	420982FNI	Idle Gear Shaft	2
	77	420982FUI	Idle Gear Flame	1
	78	420982FW0	Idle Gear Flame Spacer	2
	81	130116004	Bearing 16004	2
	82	420982FJA	Gear Case CP	1CP
	82.A	420982FJ0	Gear Case	(1)
	82.B	420982GH0	Internal Gear	(1)
	82.C	130802103	Internal Gear Ring	(1)
	83	131905014	Button Head Screw M5×14	4
	91	420985GL0	Load Gear	1
	92	130151010	Needle Bearing TLA-1010	1
	93	130106005	Bearing 6004ZZ	1
	94	420985990	Gear Case Adapter	1
	95	131705014	HEX. Socket Head Bolt M5×14	4
	101	420985WDO	Gear Side Wheel	1
	102	420985L10	Knock Pin	1
	103	420985WEO	Motor Side Wheel	1
	104	420985600	Wheel Shaft	1
	105	130606012	Spring Pin φ6×12	1
	106	131705014	HEX. Socket Head Bolt M5×14	4
	107	130408067	Gear Side Wheel Key	1
	108	420985WGO	Wheel Cover	1
	109	131103042	O Ring S-56	1
	110	131705014	HEX. Socket Head Bolt M5×14	4
	111	132305008	HEX. Socket Set Screw M5×8	1
	112	136302027	Rope Guide Bush	2
	113	420982PAB	Hook CP	2CP
	113.A	420982PAA	Hook	(2)
	113.A.01	420982PFO	Hook	(2)
	113.A.02	420620P10	Safety Hook Metal	(2)
	113.A.03	130603024	Spring Pin φ3×24	(2)
	113.A.04	130802046	Hook Spring	(2)

※	Symbol No.	Parts No.	Description	Qty. Req'd.
	113.B	420601PG0	Hook End Piece	(4)
	113.C	133206020	Round Rivet φ6×20	(4)
	114	420982QE0	Under Hook Bolt	1
	115	134501008	U Nut M8	1
	116	420985SAC	Upper Hook Plate CP	1CP
	116.A	137502028	Wire Rope A7×19 M4×2.8m	1
	116.B	137502026	Symble φ5	1
	116.D	132106008	HEX. Socket Set Screw M6×8	1
	116.E	420982W10	Hook Side Wire End	1
	116.F	420982SA0	Upper Hook Plate	1
	116.G	136302025	Safety Stopper	1
	116.H	420985XZ0	Wire End Stopper	1
	117	420601QV0	Upper Hook Shaft	1
	118	130703020	Split Pin φ3×20	1
	131	134803040	Hose Stem 3/8×1/2	1
	141	136503003	Poly Cap 3/8	1

TMM-140AE (with EMERGENCY STOP SYSTEM)

※	Symbol No.	Parts No.	Description	Qty. Req'd.
○	150	420988V6C	Emergency Valve CP	1CP
○	150.A	420988V4B	Emergency Valve Body CP	(1)
○	150.A.A	420988V40	Emergency Valve Body	(1)
○	150.A.B	420215V50	Emergency Bushing	(1)
○	150.B	420215V60	Emergency Valve	(1)
○	150.C	426216B60	Emergency Panel	(1)
○	150.D	420215V80	Emergency Cap	(1)
○	150.E	420215V90	Emergency Retainer	(1)
○	150.F	426216B70	Emergency Rod	(1)
○	150.G	426216B80	Emergency Stopper	(1)
○	150.H	426216B90	Emergency Sleeve	(1)
○	150.J	130802222	Emergency Return Spring	(1)
○	150.K	130802223	Spring 3.5×9.5×0.4	(2)
○	150.L	130802097	Emergency Spring	(1)
○	150.M	136690301	Emergency Button AVW-301R	(1)
○	150.N	131103009	O Ring S-11.2	(3)
○	150.P	131103019	O Ring S-24	(1)
○	150.Q	131101017	O Ring P-18	(1)
○	150.R	132806015	Hex Flat Head Machine Screw M6×15	(1)
○	150.S	130603008	Spring Pin 3×8	(1)
○	150.T	130406018	Parallel Pin 1.5×4	(1)
○	150.U	130406019	Parallel Pin 4×8 C	(2)
○	150.V	130301030	Retaining Ring H-30	(1)

※ mark : TMM-140A ONLY

○ mark : TMM-140AE ONLY